

Hamilton Automation, LLC

**Component and Systems
Manufacturers Representatives**

Ray Hamilton

Mobile: (224) 523-6119

rayh@hamiltonautomationllc.com

Paul Riportella

Mobile: (847) 274-3356

paulr@hamiltonautomationllc.com

Joel Geisel

Mobile: (262) 893-6938

joelg@hamiltonautomationllc.com

www.hamiltonautomationllc.com

Manufacturers

- Wittenstein (Alpha)
- Wittenstein - Cyber Dynamic Line
- AMCI
- LinMot
- Paletti
- Edrive
- Marathon Cable



WITTENSTEIN



www.wittenstein-us.com

Wittenstein

- Design, manufacture and engineering of precision motion control products
 - servo rated precision gearing
 - rotary and linear actuators
 - rack and pinion systems
 - Specialized servo motors
 - Custom engineered solutions
-

Small servo drive system
setting new standards

connective
dynamic
compact



A plus
in performance:

small servo drive system
redefined.



WITTENSTEIN

cyber motor



Wittenstein Cyber Dynamic Line

- **Compact Servo motors in 17, 22, 32, and 40 mm Diameter**
- **Servo actuators with integrated gearboxes**
- **Servo ballscrew actuators**
- **Integrated drive versions for rotary and linear applications**
- **Ethernet IP, EtherCat, and Profinet Fieldbuses**

<https://cyber-motor.wittenstein-us.com/small-servo-drive-system/>

AMCI ADVANCED
MICRO CONTROLS INC.



•Integrated Motors



•Specialty I/O



•Stepper Motor Control



•Stand alone controllers



•Resolvers Transducers



•Encoders / Duracoders

AMCI – Advanced Micro Controls Inc.

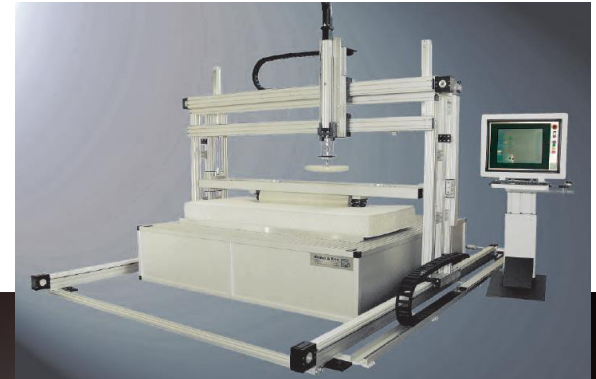
- Integrated Nema 23 and 34 stepper motors with Ethernet IP, incremental or absolute encoders, a built-in Ethernet switch with DLR technology.
- AMCI specialty I/O products enhance your PLC controller by expanding its functionality with capabilities that include advanced position sensing, motion control, stamping press automation, and packaging control solutions.
- AMCI transducers are designed to operate reliably under severe conditions such as continuous mechanical shock and vibration, extreme temperature variations and exposure to solvent and coolant contaminants.
- AMCI specializes in the design, manufacturing, and sales of heavy-duty, industrial grade rotary encoders for many different applications. (including stainless steel)
- AMCI designs and manufactures everything you need to easily configure a high performance, reliable **PLC-based motion control** system.

LinMot



LinMot

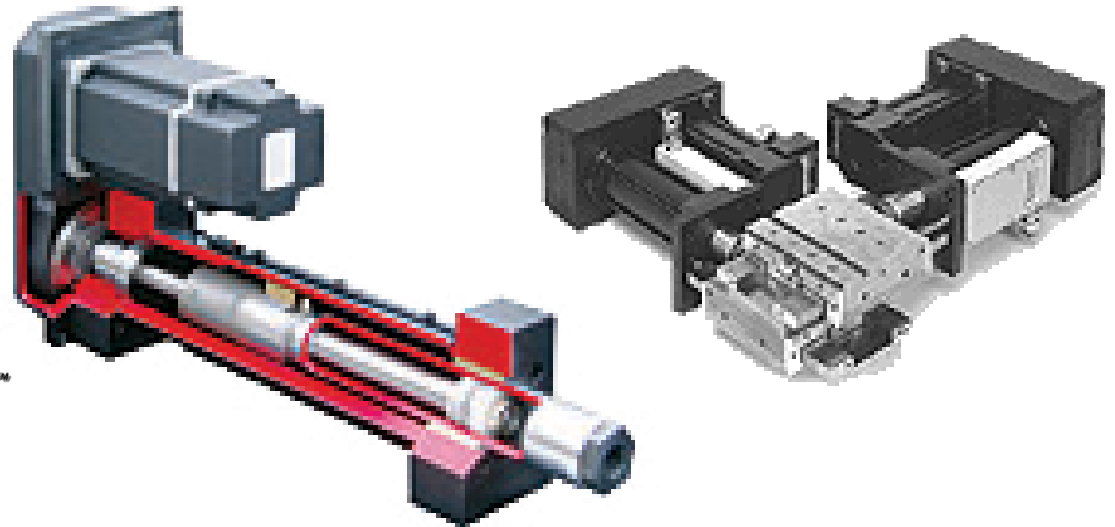
- High force direct drive rod style linear motor systems
- 40 g accel/decel rates
- Up to 280” per second velocity
- Motor forces up to 610 lbs
- Constant Force MagSprings
- Complete drive systems including:
 - Motion controller – Rockwell Ethernet IP ready
 - Power supply, cables, mounting hardware
 - Position accuracy +/- .002” standard
- IP67 Standard, IP69K stainless steel optional



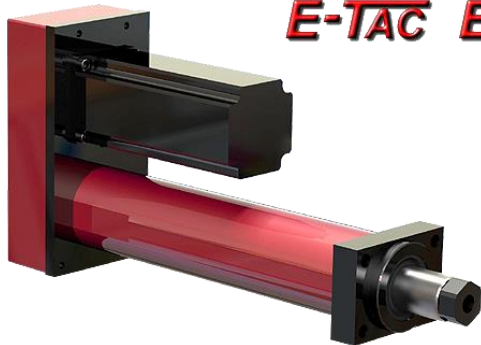
Paletti

- Structural framing systems, design, and assembly
 - Kits available for quick assembly
 - Linear belt/ball screw driven actuators
 - High accuracy framing for tooling tables
 - Protective laser environments/enclosures
-

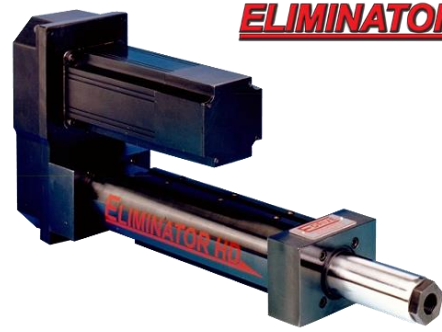
E-DRIVE®



E-TAC ET™



ELIMINATOR HD™



Edrive Actuators

- High Force Linear Actuators
 - 200 lbs to 120,000 lbs
 - Up to 65 inches per second travel speed
 - Available in Stainless Steel
 - Ball Screw Technology
 - Can mount to any style or manufacturer motor
Nema, IEC, Servo, Air Motors
 - Made in the USA
-

Marathon Cable



[Ordering Guide](#)



Marathon Cable

- High flex servo and feedback cable sets
 - VFD drive cables
 - Delivery in 1-2 weeks
 - Same day shipment for partners
 - All major motor/drive companies:
Rockwell, Danaher, Bosch, Koll Morgan, Parker
-